



Quick

Programmer's Manual

inner range

IQ

SMART SECURITY SYSTEMS

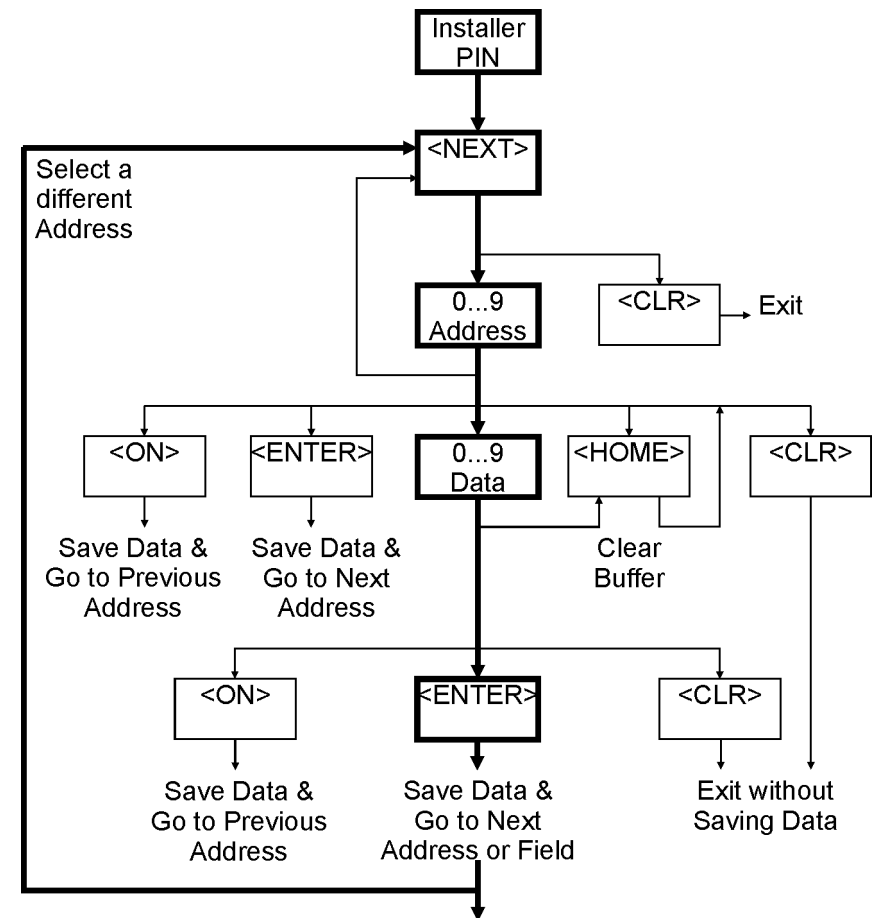
TABLE OF CONTENTS.

1. PROGRAMMING FLOWCHART.	2
2. PROGRAMMING METHODS	3
3. PROGRAMMING KEY	4
4. USER OPERATIONS SUMMARY (Default Users)	5
5. MASTER USER OPERATIONS.	6
6. BASIC PROGRAMMING GUIDE.	7
7. ADDRESS LOCATIONS NUMERICAL INDEX.	21

1. PROGRAMMING FLOWCHART.

The following flowchart provides an overview of the simple steps involved in programming the system Data and Options.

- The Bold path indicates the typical sequence.
- "<CLR>" can be used at anytime to Exit programming mode without saving changes in the current data field displayed.
- "<HOME>" can be used to clear the buffer of all data, ready for a new data entry.



2. PROGRAMMING METHODS

Inner Range IQ has been designed to provide a versatile system that is quick & easy to program & commission.

THERE ARE 5 WAYS TO QUICKLY PROGRAM YOUR INNER RANGE IQ.

FROM THE PROGRAMMING KEY

1 Portable Memory Device



Used to Download programming data into a Controller that has been copied from another Controller or from a Computer.
See page 4 of this manual.

FROM A COMPUTER

2 Upload / Download Software



Allows system programming while on-line to the Controller or while off-line. Connection can be via local Serial Port (using the "Port 0 Cable") or via remote dial-up.
Download for free from www.innerrange.com

FROM THE TERMINAL

3 Factory Defaults

Much of the basic system programming can be quickly implemented by selecting one of the System Default options.

See Page 14 of the Programmer's manual for the Default procedure and an overview of the System Default options.

See the Tables section of the Programmer's Manual for a full description of each System Default option.

4 Address Location -Numerical Order

Section 9 - of the Programmer's Manual outlines the programming of the IQ by the numerical Address, a listing is on Page 21 of this manual.

401-447	Users
500-526	Comms
531-569	Areas
570-589	Holidays
590-595	Daylight Saving
600-716	Zone Inputs
750-769	TimeZones
800-870	Auxiliaries
890-893	General Opts
897-899	System Inputs
900-914	Times/Counts

5 Primary and Secondary option programming.

In many cases, a system can be fully programmed by following the Basic Programming Guide flowchart steps described on pages 7 to 20.

Additional Features can then be added by following the Advanced Feature Programming described in Section 8 of the Programmer's Manual.

3. PROGRAMMING KEY

3.1 INTRODUCTION.

THE PROGRAMMING KEY.

The Inner Range IQ Programming Key is a portable non-volatile memory device housed in a convenient "key tag".

The Programming Key allows system programming to be uploaded from the Control Module or downloaded to the Control Module by simply inserting the Programming Key into Serial Port 0 and performing a simple key sequence on the LED Terminal. See below.

A built-in Lamp (embedded in the plastic surface) on the Programming Key visually indicates when data transmission is active.

IQ PROGRAMMING KEY & FLASH INTERFACE.

This device allows the Programming Key to be connected to a PC for transferring Panel data to and from the Upload/Download software.

NOTE: The IQ Programming Key & Flash Interface can also be used to connect a PC to the "Flash" connector (JP8) on the Controller for the purpose of providing a Flash Upgrade of the Controller Firmware version.

Refer to your Inner Range IQ distributor for more details.

3.2 IMPORT DATA FROM THE PROGRAMMING KEY.

This Mode allows the Installer to copy the programming contents of the Programming Key into the Control Module.

IMPORTANT NOTE: The new data will override the existing contents of the Control Module memory.

Connect the Programming Key to Serial Port 0 on the Control Module.

Select the Import Data Mode:

Enter PIN; 'n' 'n' 'n' 'n'... , then , then the Mode number; , , .

The Lamp on the Programming Key will flash slowly to indicate data is being copied. The Terminal beeper will sound 3 short beeps if the operation was successful, or 1 long beep if unsuccessful.

3.3 EXPORT DATA TO THE PROGRAMMING KEY.

This Mode allows the Installer to copy the programming contents of the Control Module into the Programming Key.

IMPORTANT NOTE: The Control Module data will override the existing contents of the Programming Key.

Connect the Programming Key to Serial Port 0 on the Control Module.

Select the Export Data Mode:

Enter PIN; 'n' 'n' 'n' 'n'... , then , then the Mode number; , , .

The Lamp on the Programming Key will flash quickly to indicate data is being copied. The Terminal beeper will sound 3 short beeps if the operation was successful, or 1 long beep if unsuccessful.

4. USER OPERATIONS SUMMARY.

4.1 GENERAL USER OPERATIONS. (NO PIN CODE REQUIRED)

NEXT 11 Day Alarm On/Off.
This operation will toggle the Day Alarm function On and Off.

NEXT 12 Alarm History.
Any Zone Inputs that had an alarm during the last Arming period will be displayed on the Zone Lamps.

NEXT 13 Fault History.

Any System Inputs that had an alarm during the last 5 Arming periods will be displayed on the Zone Lamps. Flashing lamp indicates Input is currently in alarm. Refer to the "System Inputs" table in the Programmer's Manual for details.

NEXT 14 Zone Self Test History.

Any Zone Inputs that have failed the Zone Self Test will be displayed on the Zone Lamps.

NEXT 15 Display Firmware Version.

The 4 digits of the current Controller Firmware Version will be displayed in sequence. e.g. Sequence 1, 0, 3, 3, = V1.033.

4.2 USER OPERATIONS REQUIRING PIN CODE ACCESS. (Installer, Master and Arm/Disarm/Isolate User Types ONLY)

NEXT 21 Isolate / De-Isolate Zone Inputs.

Zone Lamps indicate Zones that are currently Isolated.

Entering the Zone number followed by will toggle the Zone Isolated and De-Isolated.

Zones can be isolated by any User that has disarm permission for all the Areas that are assigned to the Zone.

System Inputs can be isolated by any User with permission to disarm.

NEXT 22 Isolate / De-Isolate System Alarms.

Zone Lamps indicate System Inputs that are currently Isolated.

Entering the System Input number followed by will toggle the Input Isolated and De-Isolated.

Refer to the User's Manual for more information on these functions.

NEXT 23 Activate Walk Test.

Puts the system into Walk Test Mode. Any Zone activation causes Siren squawk and Zone Lamp to flash. Press <CLR> to exit.

The system will automatically exit from Walk Test if the "Walk Test Time" (Address 912) expires.

Walk Test only monitors for the Seal and Alarm (Un-seal) conditions. No indication of Zone Input Tamper state is provided.

NEXT 24 Auxiliary Control and Test.

Auxiliary number followed by will toggle the Auxiliary Output On and Off.

0 = Siren Speaker output.

3 = Aux 2 (Gen purpose Aux on Controller)

1 = Aux 1 (Strobe output)

4 - 10 = Aux 4 to 10. (Gen purpose Auxiliaries on Expansion card)

NEXT 25 Trigger Test Report.

Triggers a Test Report to the Central Monitoring Station or the nominated "Domestic Dialer" Telephone.

- NEXT 26 Activates the Battery Test.**
Switches the Battery Charger Off for 5 seconds to test Battery voltage. 3 Beeps at end of Test = Battery OK. One long tone = Battery Voltage Low.
- NEXT 27 Answer Call.**
Causes the Controller to automatically answer the next incoming call and attempt to establish Upload/Download connection. This operation will over-ride any other programming option that disables a remote Upload/Download connection.
- NEXT 31 Primary and Secondary Telephone Numbers.**
View / Program the Primary and Secondary numbers. (Installer Only with Contact ID enabled (NEXT 505)).
- NEXT 32 Call Divert Telephone Numbers.**
View / Program the Diver and Un-Divert numbers. The IQ will dial Call Divert when the system is fully armed and dial the Call Un-Divert number when Disarmed.

4.3 DEFAULT USERS

User Number	Description	DEFAULT USERS	Factory Default PIN
User 1	Installer, Can perform all Installer operations, and all Master operations.		2345 (or 234567)
User 2	Master User (Primary Master), Can perform all the Master operations and has access to all Areas. The Master operations include; Edit Users, Walk test Zones, Set Time & Date, Siren/Strobe/Auxiliary Testing, Fault Analysis, View Software Version, Test Battery and Door Bell Enable/Disable. The Master User can also perform all User operations. This includes Arming / Dis-arming the system, Isolating Zones and View history. The Master User automatically has permission to control all the Areas, Zones and Auxiliary outputs in the system.		0123 (or 012345)
User 3 to 47	General Users ,(Can be programmed as a Master User (Secondary Master)) Can perform a variety of operations such as Arming / Dis-arming , Isolating Zones and View History with various levels of functionality as defined by the User's "User Type".		None
User 48	Reserved for system functions (e.g. Reporting Auto-arming etc.)		Not applicable

5. MASTER USER OPERATIONS.

- NEXT 33 View and/or Set the Time and Date.**
Current Time & Date will be displayed in the sequence: hh:mm:DD:MM:YY:d. (Hours, Minutes, Day, Month, Year, Day-of-week)
 - 1) Enter the Time data (hh:mm) then ,
 - 2) Enter the Date data (DD:MM:YY) then .
 - 3) Enter the Day of Week (1=Sunday - 7=Saturday) then .

NEXT 4xx User Programming. Refer to section 6 of the Programmer's Manual.

Also Refer to the User's Manual for more information on these functions.

6. BASIC PROGRAMMING GUIDE.

1 ZONE TO 16 ZONE BURGLARY ALARM SYSTEM.

The Programming Sequence beginning on the following page takes the Installer through the steps required to program a typical Burglary Alarm System. Programming options for Multi-Area systems and Off-site reporting are included.

In many cases system programming can be completed by following these steps.

Where more advanced programming is required, follow this Basic Programming Guide first, then refer to the programming procedures found in Section 8 of the Programmer's Manual.

IMPORTANT NOTES:

- 1) It is highly recommended that the system is fully defaulted to the factory presets as described in Step 1 before the rest of the programming sequence is performed.
- 2) In the database fields described, only the options relevant to basic system programming are shown. In many cases other options are available. Simply ignore any options not listed. These are not relevant to basic programming and are explained in the appropriate applications in Section 8 of the Programmer's Manual.
- 3) Section 9 of the Programmer's Manual can be referred to for extra details on any option when required.

INSTALLATION NOTES:

- 1) If Siren and Strobe are to be used, it is recommended that:
 - An 8 Ohm Siren Speaker is connected between "DET+" and "SPK" on connector T5 as shown in the Installation guide.
 - A 12V Strobe is connected as follows: Strobe + to "DET+", Strobe - to "OUT 1" on connector T5 as shown in the Installation guide.

If you prefer to programme the system by following the Address locations in numerical order, go to Section 9 of the Programmer's Manual.

How to Enter Data. Select Address: Key in the Installer PIN Code: Press **NEXT** then enter the 3 digit Address **'n'** **'n'** **'n'** (A1 to A3 Lamps will flash to prompt for each digit). The current Data will be displayed.
 Enter Data: Enter the new Data **'n'** **'n'** .. (1-16 digits) **OR** Option/s to Select/De-select **'n'**, then **ENTER**. **NOTE:** **HOME** clears the current field of all data or settings ready for new data.

1. DEFAULT THE SYSTEM.

a) Logon to the Terminal using the Installer PIN code and select DEFAULTING THE CONTROL MODULE.

NEXT 098

-Enter PIN, <NEXT>, 0, 9, 8.

b) Select the Default Option.

! CAUTION: This option completely erases all current programming.

- n, <ENTER>.

0: Completely resets the database to Factory Default settings, including the Installer Code and Master Code.

Where "n" is the Default option.

1, 2 or 3: Completely resets the database to one of the Installer Presets, including the Installer Code and Master Code.

See page 14 of the *Programmer's Manual* and the Tables in Section 10 of the *Programmer's Manual* for details.

c) Reset the Control Module.

Disconnect the AC Supply input and the Battery from the Control Module. Wait 5 seconds, then Re-connect power.

2. SELECT THE END-OF-LINE RESISTOR TYPE.

NEXT 600

DEFAULT: Option 3 - 3k3 Single End-of-Line.

END-OF-LINE RESISTOR TYPES:

Single EOL: 0 -1k 1 -1k5 2 -2k2 3 -3k3 4 -3k9 5 -4k7 6 -5k6 7 -6k8 8 -10k 9 -12k 10 -22k
 Dual EOL: 11 -2k2, 2k2 12 -2k2, 6k8 13 -3k3, 6k8 14 -10k, 10k (Provides Tamper state. 1st Value is Series Resistor, 2nd Value is Resistor across contacts)
 Zone Doubled: 15 -1k, 3k3, 6k8 Zone doubled 16 -1k, 3k3, 6k8 Zone doubled (no separate tamper state) See *installation manual* for details.

3. PROGRAM THE ZONE TYPE/S.

NEXT 601 to 616

DEFAULT: Zone 1; Type 1-Delayed. Zone 2; Type 2-Handover Zones 3 to 16; Type 0-Instant.

Program the new Zone Type for Zones that are not "Instant" Zones.

Zone	1	2	3	4	5	6	7	8	9	10	11	12	13	14	15	16
Address	601	602	603	604	605	606	607	608	609	610	611	612	613	614	615	616

Zone Types:

0	Instant	1	Delayed	2	Handover	3	Away Instant / Home Isolate
4	Away Instant / Home Delay	5	Away Delay / Home Isolate	6	Away Delay / Home Delay	7	Away Delay / Home Instant
8	Away Handover / Home Isolate	9	Away Handover / Home Delay	10	24 Hour Burglary	11	24 Hour Fire
12	24 Hour Panic	13	24 Hour duress	14	KeySwitch Arm	15	KeySwitch Home
16	Delay / Force Arm	17	Handover / Force Arm				

4. PROGRAM ANY ADDITIONAL BASIC OPTIONS FOR ZONE INPUTS.

NEXT 651 to 666

Zone	1	2	3	4	5	6	7	8	9	10	11	12	13	14	15	16
Address	651	652	653	654	655	656	657	658	659	660	661	662	663	664	665	666

1	Silent	When selected, Siren is not activated when an alarm is triggered on this Zone. (NOTE: "Silent" over-rides "Siren Lockout")
2	Siren Lockout	Zone will only trigger the Siren for the number of times specified in the "Siren Swinger Shutdown Count". (Address 013)
7	Change Sense (Normally Open Contacts)	The "Sealed" and "Alarm" states are swapped so that an alarm is triggered when an Open to Closed transition occurs on the detector contacts. May be required for smoke detectors, etc.

5. PROGRAM THE SIREN SWINGER SHUTDOWN COUNT.

NEXT 913

DEFAULT: 16

(Only required if the "Siren Lockout" option is selected for any Zones in the Zone Options above)

Program the number of times (0 to 255) the Siren can be triggered by a Zone Input in a single Arming period before Siren Lockout occurs. (The counter is reset when the Area is turned Off)

6. ENABLE/DISABLE THE SYSTEM INPUT ALARMS THAT ARE REQUIRED TO ACTIVATE THE SIREN.

NEXT 897.

1	AC Fail.	3	Cabinet Tamper. (Enabled by default)	5	Comms Fail / System Reset / Real-time Clock Problem.	7	PWR Fuse / Battery Fuse.
2	Low Battery	4	Keypad Lockout.	6	Siren Monitor		

7. ENABLE/DISABLE THE KEYPAD EMERGENCY ALARMS THAT ARE REQUIRED TO ACTIVATE THE SIREN.

NEXT 899.

1	Panic Alarms will activate the Siren.	Enabled by default
3	Fire Alarms will activate the Siren.	Enabled by default
5	Medical Alarms will activate the Siren.	Enabled by default

8. PROGRAM THE BASIC SYSTEM TIMERS.

- HomeGuard Time.** **DEFAULT: 90 Seconds.** **NEXT 900**
 Program a value from 0 to 255 Seconds. Sets the Home Zone Entry Delay time for the "Home Delayed" function in Zone Types 4, 6 & 8.
- Siren Time.** **DEFAULT: 5 Minutes.** **NEXT 904**
 Program a value from 0 to 255 Minutes.
- Keypad Lockout Time.** **DEFAULT: 5 Minutes.** **NEXT 905**
 Program a value from 0 to 255 Seconds. Sets the time that keypad operation will be disabled after 5 incorrect login (PIN Code) attempts.
- AC Report Delay Time.** **DEFAULT: 0 Minutes.** **NEXT 906**
 Program a value from 0 to 255 Minutes. Sets the time that the AC must be continuously disconnected before an AC Fail alarm is generated.
- Siren Holdoff Time.** **DEFAULT: 0 Seconds.** **NEXT 910**
 Program a value from 0 to 255 Seconds. Sets the time that the activation of the External Siren will be delayed after an alarm occurs.
- Fire Zone (Smoke Detector) Ignore Time.** **DEFAULT: 60 Seconds.** **NEXT 911**
 Program a value from 0 to 255 Seconds. Sets the time that activity on "24 Hour Fire" Zone Types will be ignored after a Smoke Detector Reset occurs.

9. ENABLE/DISABLE ANY BASIC GENERAL SYSTEM OPTIONS THAT ARE REQUIRED FROM "GENERAL OPTIONS 1". **NEXT 890**

	Option	Default	Description
1	Auto-Isolate on Arming.	No	If selected, unsealed Zones will automatically isolate when the Area is Armed at the end of the Exit Delay.
2	Quick Arming.	No	If selected, no PIN Code required for arming Areas.
3	Force Arm Areas.	No	If selected, Area will Arm regardless of any unsealed Zones. If "Auto-Isolate on Arming" is selected, any unsealed Zones will be Isolated. If not, unsealed Zones will go into alarm.
4	Clock Synchronized to 50Hz AC Mains.	Yes	Only Disable if Mains supply frequency is not stable, or if Controller is only powered by a DC supply.
5	Zone Alarm indication after Disarm.	Yes	Terminal automatically goes to Alarm History Display when Disarmed if an Alarm has occurred in that Area.
6	Display Zone activity when Disarmed.	Yes	Enables display of Zone activity via the Terminal Zone LED's when Area/System is Disarmed.
7	Special Siren Tone for System Inputs	Yes	Special Siren Tone used for System Inputs that are programmed to activate the Siren. No = Normal Burglary Siren Tone. (Default setting) Yes = 1 Sec bursts for 4.25 minutes unless cancelled by PIN Code.
8	Single Exit Beep in Home Mode.	Yes	If selected, Exit beeps are replaced with a single beep at start of Exit Delay when Armed in Home Mode.

How to Enter Data. Select Address: Key in the Installer PIN Code; Press **NEXT** then enter the 3 digit Address **0** **0** **0** (A1 to A3 Lamps will flash to prompt for each digit). The current Data will be displayed.
 Enter Data: Enter the new Data **0** **0** .. (1-16 digits) **OR** Option/s to Select/De-select **0**, then **ENTER**. **NOTE:** **HOME** clears the current field of all data or settings ready for new data.

10. PROGRAM THE CURRENT TIME AND DATE. (Master User Operation)

NEXT 33

Set the Real-Time Clock.

The Time, Date and Day of Week are programmed in 3 separate fields in the following order: hh:mm (1st Field); DD:MM:YY (2nd Field); day (3rd Field) i.e. Hour, Hour; Minute, Minute; Day, Day; Month, Month; Year, Year; Day Of Week: (Sunday=1, Monday=2, Tues=3, Wed=4, Thurs=5, Fri=6, Saturday=7)

Key in the data for the current Field, then press <ENTER> to save the data in the current Field and advance to the next Field.

- e.g. 1) 07:24 AM, 5th June, 2003. Monday. 0, 7, 2, 4, <ENTER>; 0, 5, 0, 6, 0, 3, <ENTER>; 2, <ENTER>.
 2) 05:15 PM, 20th September, 2004. Thursday. 1, 7, 1, 5, <ENTER>; 2, 0, 0, 9, 0, 4, <ENTER>; 5, <ENTER>.

11. PROGRAM THE DAYLIGHT SAVING START AND END DATES.

NEXT 590 to 595

Address	Parameter	Range	Default	Address	Parameter	Range	Default
590	Daylight Saving Start Month	0 - 12	0	593	Daylight Saving End Month	0 - 12	0
591	Daylight Saving Start Week	1 - 5	5	594	Daylight Saving End Week	1 - 5	5
592	Daylight Saving Day-of-week In Start Week	1 - 7	1	595	Daylight Saving Day-of-week In End Week	1 - 7	1

1 - Sunday 2 - Monday 3 - Tuesday 4 - Wednesday 5 - Thursday 6 - Friday 7 - Saturday

12. ENABLE THE STROBE. (IF A STROBE IS CONNECTED TO "OUT1")

NEXT 801

The Strobe output (OUT1) on the Controller is controlled by Auxiliary 1.

To enable the Strobe output, assign Event Type 1 - Burglary Alarm (Strobe), to Auxiliary 1 at Address 801.

Single Area System.
Go to Step 14a.

NO

Is the system a Multi-Area system?

YES.

Multi Area System.

13. PROGRAM THE MULTI-AREA GENERAL OPTIONS.
NEXT 891

	Option	Default	Description
1	Multi Area system.	No	
4	All Areas Siren Off control.	No	Any User with Disarm privileges can cancel Siren.

14A. ASSIGN AREA 1 TO ALL ZONES USED. NEXT 701 to 716
DEFAULT: Area 1 assigned to Zones 1 to 8.

Assign Area 1 to all the Zones that are used in the system by enabling Option 1 (Area 1) in the relevant Addresses from 701 to 716.

Zone	1	2	3	4	5	6	7	8
Address	701	702	703	704	705	706	707	708
Zone	9	10	11	12	13	14	15	16
Address	709	710	711	712	713	714	715	716

14B. ASSIGN THE REQUIRED AREA/S TO ZONES.
NEXT 701 to 716

DEFAULT: Area 1 assigned to Zones 1 to 8.

Assign the required Area/s to all the Zones that are used in the system by enabling the Options in the relevant Addresses from 701 to 716.

NOTE: Normally, only one Area is assigned to a Zone.

Zone	1	2	3	4	5	6	7	8
Address	701	702	703	704	705	706	707	708
Zone	9	10	11	12	13	14	15	16
Address	709	710	711	712	713	714	715	716

1 - Area 1 assigned.
2 - Area 2 assigned.

3 - Area 3 assigned.
4 - Area 4 assigned.

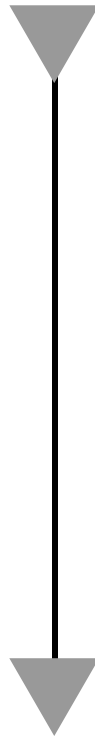
How to Enter Data. Select Address: Key in the Installer PIN Code; Press **NEXT** then enter the 3 digit Address **'n'** **'n'** **'n'** (A1 to A3 Lamps will flash to prompt for each digit). The current Data will be displayed.
Enter Data: Enter the new Data **'n'** **'n'** .. (1-16 digits) **OR** Option/s to Select/De-select **'n'**, then **ENTER**. **NOTE:** **HOME** clears the current field of all data or settings ready for new data.

Single Area System

15A. PROGRAM AREA 1 ENTRY DELAY. NEXT 531
DEFAULT: 30 Seconds
Program a value from 0 to 255 Seconds.

PROGRAM AREA 1 EXIT DELAY. NEXT 541
DEFAULT: 60 Seconds
Program a value from 0 to 255 Seconds.

Go to Step 17.



Multi-Area System

15B. PROGRAM AREA ENTRY DELAYS AS REQUIRED. NEXT 531
DEFAULT: 30 Seconds
Area 1 NEXT 531
Area 2 NEXT 532
Area 3 NEXT 533
Area 4 NEXT 534
Program a value from 0 to 255 Seconds.

PROGRAM AREA EXIT DELAYS AS REQUIRED. NEXT 541
DEFAULT: 60 Seconds
Area 1 NEXT 541
Area 2 NEXT 542
Area 3 NEXT 543
Area 4 NEXT 544
Program a value from 0 to 255 Seconds.

16. PROGRAM THE TERMINAL ASSOCIATED AREA/S. NEXT 561
Terminal 1 NEXT 561
Terminal 2 NEXT 562
Terminal 3 NEXT 563
Terminal 4 NEXT 564

This determines the Area used for Arming/Disarming operations, Zone Lamp display and Entry/Exit warnings. One of the following options can be selected:

- 0 - Multi-Area (All Areas are associated with the Terminal) DEFAULT.
- 1 - Area 1 is associated with the Terminal.
- 2 - Area 2 is associated with the Terminal.
- 3 - Area 3 is associated with the Terminal.
- 4 - Area 4 is associated with the Terminal.

17. ENABLE/DISABLE REMOTE CONNECT FOR UPLOAD/DOWNLOAD.

Select the Remote Connect Option.

DEFAULT: 1 - Remote Connect Enabled

NEXT 512

0	Remote Connect not allowed.
1	Remote Connect Enabled. (Default)
2	Remote Connect Enabled with Callback.

Program the number of Rings to Answer - If Option 1 or 2 selected above.

DEFAULT: 16

NEXT 513

Program the number of Rings. A value in the range of 3 to 16 Rings may be programmed.

Enable an Answering Machine (Fax) Bypass option if required.

DEFAULT: 0 - Disabled

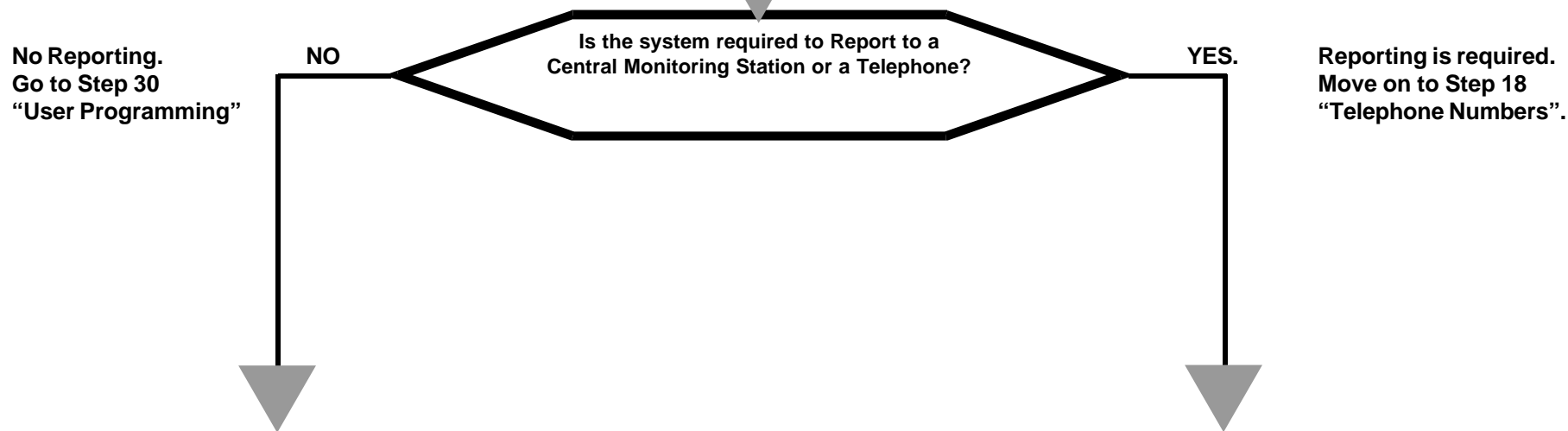
NEXT 514

0	Disabled.	2	Follow-on time = 30 Seconds.
1	Follow-on time = 10 Seconds.	3	Follow-on time = 60 Seconds.

Callback Telephone Number - If Remote Connect Option 2 is selected.

NEXT 504

Program the Telephone number of the Remote Computer. Up to 16 digits allowed. See Step 18 for programming information.



How to Enter Data. Select Address: Key in the Installer PIN Code; Press **NEXT** then enter the 3 digit Address **'n'** **'n'** **'n'** (A1 to A3 Lamps will flash to prompt for each digit). The current Data will be displayed.
 Enter Data: Enter the new Data **'n'** **'n'** .. (1-16 digits) **OR** Option/s to Select/De-select **'n'**, then **ENTER**. **NOTE:** **HOME** clears the current field of all data or settings ready for new data.

**No Reporting.
Go to Step 30.
"User Programming"**

Contact ID or Domestic Dialer Reporting.

18. PROGRAM THE PRIMARY AND SECONDARY TELEPHONE NUMBERS.

Primary Telephone Number.

NEXT 500

Program the Primary Telephone number for Reporting. Up to 16 digits allowed.

Secondary Telephone Number.

NEXT 501

If required, program a Secondary Telephone number for Reporting. Up to 16 digits allowed.

Programming Telephone number digits:

0 to 9 = 0 to 9

10 = *

11 = #

12 = 4 Second pause

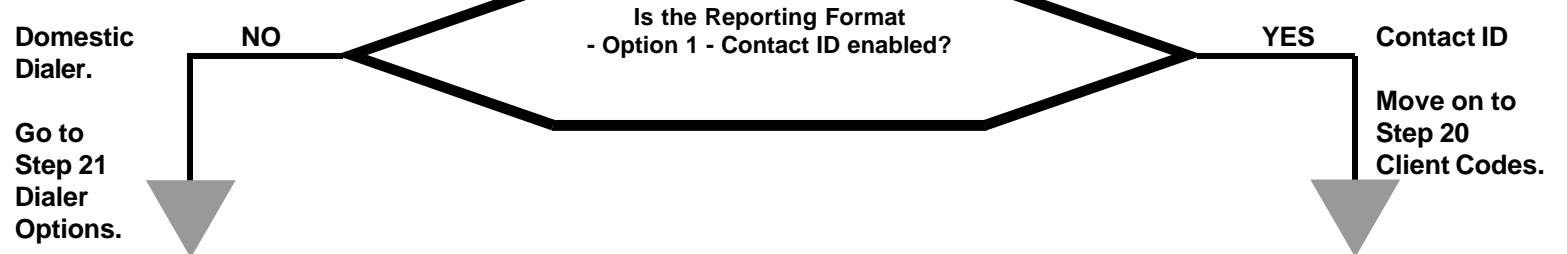
Multi-digit numbers are entered by pressing the <OFF> key. e.g. To program a #, Press <OFF>, 1, 1.

19. SELECT THE REPORTING FORMAT.

NEXT 505

1	Contact ID.	Reports to a Central Monitoring Station in Contact ID format via the PSTN Line connection.
2	Domestic Dialer.	Reports to a private telephone with simple tone beeps via the PSTN Line connection.
3	Securitel / CFSK	Not available in this Version.
8	Dual Reporting	Reports to <u>both</u> of the programmed telephone numbers in Contact ID and/or Domestic Dialer formats.

Note: If Option 8 is required, select FIRST. Refer to the Reference section of the Programmer's Manual.



No Reporting.
Go to Step 30
"User Programming"

Domestic Dialer.
Go to Step 21
"Dialer Options"

Contact ID.
Go to Step 20
Client Codes.

20. PROGRAM THE AREA CLIENT CODE/S.

Area 1 / General Area NEXT 521
 Area 2 NEXT 522
 Area 3 NEXT 523
 Area 4 NEXT 524

Program one or more 4 digit Client Codes. If a common Client Code is used for all Areas, only program the Area 1 Client Code. If required, a unique Client Code may be programmed for each Area that is to Report. Client Code/s are provided by the Central Monitoring Station.

21. PROGRAM THE DIALER OPTIONS. NEXT 506

	Option	Default
1	Alarms reported via Dialer.	Yes
2	Alarm Restores reported via Dialer.	Yes
3	Isolates reported via Dialer.	Yes
4	Report Open only after an alarm.	No
5	General Open/Close reporting.	No
6	All Area Opens/Closes reported via Dialer.	No
7	System Restores via Dialer.	No

22. PROGRAM THE GENERAL OPEN/CLOSE AREA LISTS. NEXT 507
 Required only if Dialer Option 5 - "General Open/Close Reporting" selected above.
 DEFAULT: Area 1.

Assign the required Area/s to the General Open/Close Area List: (NOTE: Area 1 must be included in the list)

1 - Include Area 1. (Enabled by Default) 3 - Include Area 3.
 2 - Include Area 2. 4 - Include Area 4.

How to Enter Data. Select Address: Key in the Installer PIN Code; Press [NEXT] then enter the 3 digit Address [0] [0] [0] (A1 to A3 Lamps will flash to prompt for each digit). The current Data will be displayed.
 Enter Data: Enter the new Data [0] [0] .. (1-16 digits) OR Option/s to Select/De-select [0], then [ENTER]. NOTE: [HOME] clears the current field of all data or settings ready for new data.

**No Reporting.
Go to Step 30
"User Programming"**

23. PROGRAM THE MAXIMUM DIAL ATTEMPTS. NEXT 508
DEFAULT: 8 Attempts

Program the Maximum number of Dial Attempts from 1 to 16.
! CAUTION: Communications Authority Regulations limit the maximum number of dial attempts.
 In Australia the ACA specify a limit of 10 Attempts.

24. PROGRAM THE TEST REPORT OPTIONS.

Test Report Period DEFAULT: 7 NEXT 509
 Program the number of Days between Test Reports from 0 (No Test Report) to 255.

Program the Time of Day when the Test Report will be transmitted.

Test Report Hour DEFAULT: 3 NEXT 510
 Program the Hour value from 0 to 23.

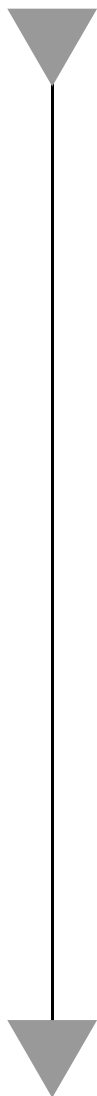
Test Report Minute DEFAULT: 30 NEXT 511
 Program the Minute value from 0 to 59.

25. PROGRAM THE DIALER LOCKOUT OPTION FOR ZONE INPUTS IF REQUIRED. NEXT 651 to 666

Zone	1	2	3	4	5	6	7	8	9	10	11	12	13	14	15	16
Address	651	652	653	654	655	656	657	658	659	660	661	662	663	664	665	666

3	Dialer Lockout	Zone will only trigger the Dialer for the number of times specified in the "Dialer Swinger Shutdown Count". (Address 014)
----------	----------------	--

**No Reporting.
Go to Step 30
"User Programming"**



26. PROGRAM THE DIALER SWINGER SHUTDOWN COUNT. NEXT 914
DEFAULT: 16
(Only required if the "Dialer Lockout" option is selected for any Zones in the Zone Options in Step 25 above)

Program the number of times (0 to 255) the Dialer can be triggered by a Zone Input, in a single Arming period, before Siren Lockout occurs.
 (The counter is reset when the Area is turned Off)

27. ENABLE/DISABLE ANY GENERAL OPTIONS THAT ARE REQUIRED FROM "GENERAL OPTIONS 2". NEXT 891

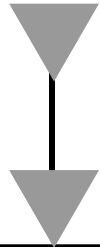
	Option	Default	Description
6	Delay Siren until Comms complete.	No	Siren operation will not be initiated until a report has been successfully sent, or a Comms Fail alarm generated.
8	Dialer enabled in Home Mode.	No	If selected, Alarms and Open/Close reports will be sent for Areas armed in Home Mode.

28. ENABLE/DISABLE THE SYSTEM INPUT ALARMS THAT ARE REQUIRED TO ACTIVATE THE DIALER. NEXT 898.

	Option	Default
1	AC Fail.	Yes
2	Low Battery.	Yes
3	Cabinet Tamper.	Yes
4	Keypad Lockout.	No
5	Comms Fail / System Reset.	Yes
6	Siren Monitor.	Yes
7	PWR Fuse / Battery Fuse.	Yes
8	Zone Self-Test Fail.	No

How to Enter Data. Select Address: Key in the Installer PIN Code; Press **NEXT** then enter the 3 digit Address **'n'** **'n'** **'n'** (A1 to A3 Lamps will flash to prompt for each digit). The current Data will be displayed.
 Enter Data: Enter the new Data **'n'** **'n'** .. (1-16 digits) **OR** Option/s to Select/De-select **'n'**, then **ENTER**. **NOTE:** **HOME** clears the current field of all data or settings ready for new data.

**No Reporting.
Go to Step 30
"User Programming"**



29. ENABLE/DISABLE THE KEYPAD EMERGENCY ALARMS REQUIRED TO ACTIVATE THE DIALER. NEXT 899.

	Option	Default
2	Panic Alarms will activate the Dialer.	Yes
4	Fire Alarms will activate the Dialer.	Yes
6	Medical Alarms will activate the Dialer.	Yes
7	Duress Alarms will activate the Dialer.	No



30. PROGRAM THE USERS

An Installer Code or Master User Code must be used to program the Users.

Master: NEXT 402
Other Users: NEXT 403 to 447

Program a User.

- 1) Key in your PIN, then Select the User Number. Press , , , . (402 = Master. 403 to 447 = User 3 to User 47)
- 2) Enter the new PIN number ... (4 or 6 digits), then press .
- 3) Press the Area number/s for each Area to be Assigned to this User (0=All Areas De-selected), then press .
- 4) Select the new User Type number , then press . See table below.

0	Arm Only.	2	Arm / Disarm.	4	Toggle User Auxiliary A	6	Arm / Disarm / Isolate.
1	Patrol. Arm / Disarm only after an alarm.	3	Defer Arm Only.	5	Toggle User Auxiliary B	7	Master.

Delete a User.

- 1) Key in your PIN, then Select the User Number. Press , , , .
- 2) Press then .



31. CHANGE THE INSTALLER PIN CODE.

NEXT 401

This should be done before the system commissioning is completed and system operation is handed over to the client. Ensure that a new PIN code is chosen that will not be forgotten, while still providing security against unauthorised access. Follow Steps 1 and 2 of "Program a User" above. Note that Area Selection and User Type cannot be changed for the Installer Code.

The following features can be programmed to operate in addition to the Primary system features. They can be found in the Programmer's Manual.

Programmer's Manual Page No.	Feature	Description
34	Auto-Arm / Auto Disarm.	TimeZones can automatically Arm and/or Disarm Areas in Away or Home mode and provide auto-arm warnings if required.
35	Auxiliary to Follow a TimeZone	TimeZones can control Auxiliary outputs for automatic control of ancillary devices such as lighting, irrigation, pool filters, etc.
35	Battery Testing.	Automatic battery testing can be performed every 8 hours and/or on Area arming to ensure continuous operation if the AC power fails
36	Callback for Remote Connect.	Requirement for the system to callback a pre-programmed number to establish remote connection for Upload/Download.
36	Call Forwarding.	The system can dial your call divert number when armed and the un-divert number when disarmed.
36	Computer connection (Local)	A computer can be connected directly to the Controller via the on-board Serial Port for Upload/Download.
36	Day Alarm.	A Zone Input can operate an Auxiliary output for activating Door Bells, lights, etc. when disarmed.
37	Defer Arming	Allows automatic arming if no movement is detected for a specified period to ensure that an Area is not left disarmed.
37	DTMF Remote Control	Remote Control of Areas and Auxiliaries can be provided from any touch-tone (DTMF) telephone.
37	Keyswitch Arming and Disarming.	Keyswitches can be used to Arm and/or Disarm the system in addition to, or in place of, PIN Codes or Wireless Remote Keys.
38	Pulse Counting.	Provides more sophisticated monitoring of detection devices that require verification of an abnormal condition.
38	Siren output to operate as an Auxiliary.	The Siren Speaker output can be used as a normal Auxiliary output if required.
38	Six Digit PIN Codes.	Forces all PIN Codes programmed to be 6 digits in length for a higher level of User verification integrity.
39	Smoke Detector Reset	User PIN Code operation to momentarily activate an Auxiliary output to reset latching Smoke Detectors.
39	Sub Areas.	Area 4 can be defined as a Sub-Area (or common Area) allowing it to be armed/disarmed by any, or all, of the other Areas.
39	User Auxiliaries	PIN Codes can be programmed for the sole purpose of controlling one of 2 "User" Auxiliaries.
40	Walk Testing.	Allows Users to manually test detection devices.
40	Wireless Remote Control.	Wireless Remote Keys can be assigned to the system for Area control, Auxiliary control and Panic alarm.
40	Zone Self Testing.	Zones can be tested when the Area is disarmed to check for masking or other problems.

How to Enter Data. Select Address: Key in the Installer PIN Code; Press **NEXT** then enter the 3 digit Address **'n'** **'n'** **'n'** (A1 to A3 Lamps will flash to prompt for each digit). The current Data will be displayed.
 Enter Data: Enter the new Data **'n'** **'n'** .. (1-16 digits) **OR** Option/s to Select/De-select **'n'**, then **ENTER**. **NOTE:** **HOME** clears the current field of all data or settings ready for new data.

7. ADDRESS LOCATIONS NUMERICAL INDEX.

Address	Topic	Page in Programmer's Manual
11	Day Alarm On/Off.	15
11 to 15	General User Operations.	15
11 to 27	User Operations Summary.	15
12	Alarm History.	15
13	Fault History.	15
14	Zone Self Test History.	15
15	Display Firmware Version.	15
15	Firmware Version. To Display.	15
21	Isolate / De-Isolate Zone Inputs.	15
21 to 32	User Operations Requiring PIN.	15-16
22	Isolate / De-Isolate System Alarms.	15
23	Activate Walk Test.	16
23	Walk Test. To Activate.	16
24	Auxiliary Control and Test.	16
25	Test Report -To Trigger.	16
25	Trigger Test Report.	16
26	Battery Test -Manual.	16
27	Answer Call.	16
31	Primary and Secondary Telephone Numbers.	16
32	Call Divert Telephone Numbers.	16
33	Master User Operations.	16
33	Master User Operations Summary.	16
33	Time and Date Programming - Basic.	23
096	Import Data from the Programming Key.	8
097	Export Data to the Programming Key.	8
098	Defaulting the System.	14, 77
401 to 447	Adding Or Changing A User.	17
401 to 447	Deleting A User.	18
401 to 447	User Programming.	17
401 to 447	User Programming - Basic.	31
401 to 447	User Programming.	41
401 to 447	Users. Types.	5
500	Primary Telephone Number.	42
500 to 504	Telephone Number Programming.	41
500 to 524	Reporting Programming - Basic.	27
501	Secondary Telephone Number.	42
502	Call Divert (Call Forwarding) Telephone No.	42
503	Call Un-divert (Cancel Call Forwarding) Telephone No.	42
504	Call-back Telephone Number.	43
505	Contact ID Event Codes.	76
505	Contact ID Reporting Format.	43
505	Contact ID Reporting Format.	44
505	Contact ID Reporting Format.	44
505	Domestic Dialer Reporting Format.	43
505	Dual Reporting.	43
505	Reporting Format.	43
506	Alarms are reported via Dialer.	44
506	Area Openings/Closings are reported via Dialer.	44
506	Dialler Options.	44
506	Isolates are reported via Dialer.	44
506	Opening reports only sent after alarm has occurred.	44
506	Restorals are reported via Dialer.	44
507	General Open/Close Area List.	45
507	General Open/Close Reporting.	45
508	Dial Attempts.	45
508	Maximum Dial Attempts.	45
509	Test Report Period.	46
509-511	Test Report.	46
510	Test Report Hour.	46
511	Test Report Minute.	46
512	Remote Connect Method.	46
512 to 514	Remote Connect Programming - Basic.	26
512-514	Remote Connect Options.	46
513	Rings To Answer.	47
514	Answer Machine (Fax) Bypass.	47
515	Port 0 Comms Task.	47
515-516	Serial Port Options.	47
516	Port 0 Baud Rate.	48
521	Area 1 (General Area) Client Code.	48
521	General Area (Area 1) Client Code.	48
521-524	Client Codes (Contact ID).	48
522	Area 2 Client Code.	48
523	Area 3 Client Code.	48
524	Area 4 Client Code.	48
531 to 534	Area Entry Delay Programming.	49
531 to 564	Area Programming - Basic.	25
541 to 544	Area Exit Delay Programming.	49
551 to 554	Arming Options.	49
551 to 554	Timezone Control.	49
559	Auto Disarming Options.	50
560	Auto-arm In Home Mode.	51

561 to 564	Terminal Associated Area	51	890	Clock synchronized to 50Hz AC Mains.....	62
569	Multi Area Options	52	890	Display Zone activity on Terminals.....	62
570	Holiday Day	52	890	Force Arm Areas.....	62
570 to 589	Holidays	52	890	General Option Programming - Basic	22
571	Holiday Month	52	890	General Options. 1.....	62
590 to 595	Daylight Saving	53	890	Quick Arming	62
590 to 595	Daylight Saving Programming - Basic	23	890	Single Exit Beep in Home Mode.....	62
590 to 595	Daylight Saving Time (DST) Start And End Dates	53	890	Special Siren Tone for System Alarms.....	62
596 to 599	Holidays	52	890	Zone activity on Terminals. To Display.....	62
600	End-of-line Resistor Type	54	890	Zone Alarm indication after Disarm.....	62
600 to 666	Zone Input Programming - Basic	20	891	All Area Siren Off control.....	63
600 to 666	Zone Input Programming - Basic	21	891	Bell Squawk on Siren for Wireless Remote Key.....	63
600 to 666	Zone Input Programming - Basic	24	891	Call Forwarding.....	63
601 to 616	24 Hour Zone Types	56	891	Day Alarms To Activate Terminal Beeper.....	63
601 to 616	Delayed Zone Type	55	891	Delay Siren until Comms complete.....	63
601 to 616	Duress Zone Type	56	891	Dialer enabled in Home Mode.....	63
601 to 616	Fire Zone Type	56	891	DTMF Control.....	63
601 to 616	Handover Zone Type	55	891	General Options. 2.....	63
601 to 616	Home Zone Types	55	891	Multi-Area System.....	63
601 to 616	Instant Zone Type.....	55	891	Mutli-Area Option Programming - Basic	24
601 to 616	Key Switch Zone Types	56	891	Terminal Beeper for Day Alarms.....	63
601 to 616	Panic Zone Type	56	892	6 Digit PIN codes	64
601 to 616	Zone Type.....	55	892	Automatic Battery Testing.....	64
601 to 716	Zone Input Programming Overview	54	892	Battery Test on Arming.....	64
651 to 666	Day Alarm Zone Option	58	892	Battery Testing -Automatic.....	64
651 to 666	Dialer Lockout Zone Option	57	892	General Options. 3.....	64
651 to 666	Normally Open (Change Sense) Zone Option	58	892	Keyswitch Zones Latching.....	64
651 to 666	Pulse Count Zone Option	57	892	Pulse Count Handover.....	64
651 to 666	Self-Test Zone Option	58	892	Siren Output To Operate As An Auxiliary	64
651 to 666	Silent Zone Option	57	893	General Options. 4.....	64
651 to 666	Siren Lockout Zone Option	57	897	Fire alarms will activate the Siren.....	65
651 to 666	Zone Options	57	897	Siren. Emergency Alarms to activate Siren.....	65
701 to 716	Zone Areas	58	897	Siren. System Inputs to activate Siren.....	65
750 to 769	Timezones	58	897	System Input Programming - Basic	21
800 to 810	Auxiliary Event Type.....	61	897	System Input Siren Enable	65
800 to 810	Auxiliary Event Types	72	897 to 898	System Inputs	75
800 to 870	Auxiliary Programming Overview	60	897 to 898	System Inputs Overview	65
801	Strobe Programming - Basic	23	898	System Input Dialer Enable	66
830 to 840	Auxiliary Timer Value	61	899	Duress alarms will activate the Dialer.....	66
860 to 870	Auxiliary Action	61	899	Duress Codes operation Enabled.....	66
860 to 870	Auxiliary Actions	74	899	Emergency Alarm Programming - Basic	21
890	Auto Isolate on Arming.....	62	899	Emergency Options	66

899	Fire alarms will activate the Dialer.	66
899	Medical alarms will activate the Dialer.	66
899	Medical alarms will activate the Siren.	66
899	Panic alarms will activate the Dialer.	66
899	Panic alarms will activate the Siren.	66
900	Counters	67
900	Homeguard Time	67
900	Timers	67
900 to 911	Timer Programming - Basic	22
901	Pulse Count	67
902	Pulse Time	67
903	Zone Self-test Period	67
904	Siren Time	67
905	Keypad Lockout Time	68
906	AC Report Delay	68
907	Auto-arm Pre-warn Time	68
908	Re-auto-arm Time	68
909	RF Terminal Auxiliary Time	69
910	Siren Hold-off Time	69
911	24 Hr Fire Zone (Smoke Detector) Ignore Time	69
912	Walk Test Time	69
913	Siren Swinger Shutdown Count	70
913	Swinger Shutdown Count - Siren	70
914	Dialer Swinger Shutdown Count	70
914	Swinger Shutdown Count - Dialer	70

NOTE

The page numbers in the table above, refer to the Inner Range IQ Programmer's Manual Part Number: 630047

Warranty

Inner Range Pty Ltd is proud of the reputation it has gained in the provision of high quality electronic products. Exhaustive factory and field testing ensure that enhanced system programming features and additional hardware components operate as expected prior to their release to our customers. Extensive function testing is carried out on every Inner Range product prior to it leaving the factory.

It is our intention to completely satisfy the requirements of our customers. To that end, Inner Range Pty Ltd stands behind its products with confidence. A Two Year Warranty accompanies every Inner Range product. Should any Inner Range product fail to function as intended by the manufacturer within this period, it should be returned to the distributor and the fault or symptom detailed. Inner Range will, at its own discretion, repair or replace the product as soon as possible.

This Warranty does not cover product failures occurring wholly or in part as a result of misuse, malicious damage, accidental damage or acts of nature.

Disclaimer

- 1) The manufacturer and/or its agents take no responsibility for any damage, financial loss or injury caused to any equipment, property or persons resulting from the correct or incorrect use of the Inner Range IQ system and its peripherals. The purchaser assumes all responsibility in the use of the IQ system and its peripherals.
- 2) Whilst every effort has been made to ensure the accuracy of this manual, Inner Range Pty Ltd assumes no responsibility or liability for any errors or omissions. Due to ongoing development the contents of this manual is subject to change without notice. Check regularly with your supplier or the Website for updates.